



*Engineered for strength,
built to perform.*

- Manufactured from premium SPF for consistent quality.
- Factory-primed for lasting protection and a uniform, ready-paint finish.
- Engineered for stability, reducing checking, twist, and dimensional movement.
- Refined combed texture provides a high-end look suited to modern and traditional designs.

DAK TRIM

Engineered Post



Scan for more info

New!

**Dark green endseal
on all trim products!**

Delivers a clean, consistent,
and professional look.

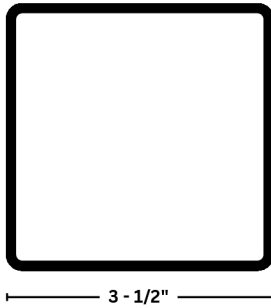




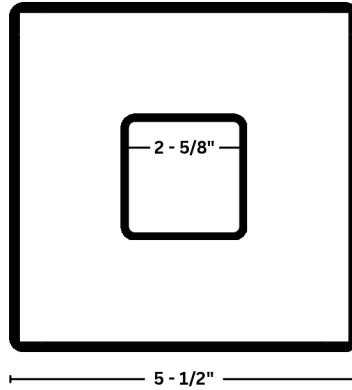
Best used for:

- Structural and decorative post applications including porches, decks, pergolas, and entryways
- Column and post wraps where hollow 6x6 and 8x8 profiles deliver heavy timber scale while allowing for concealed supports, wiring, or lighting
- Applications requiring stable, primed wood posts that resist twisting, checking, and joint separation while providing a clean, consistent finish

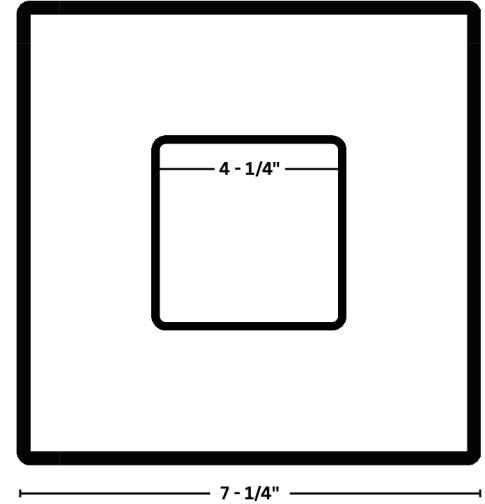
4x4 Post (Solid)



6x6 Post (Hollow)



8x8 Post (Hollow)



PRODUCT	LENGTHS	PACK SIZE	CSA-086 (CAN)		NDS-LRFD (USA)	
			Certified Axial Loading Capacity (lbs)		Certified Axial Loading Capacity (lbs)	
SPF 4 x 4 Solid Combed	8' 10' 12'	56 pc	Product info coming soon		Product info coming soon	
SPF 6 x 6 Hollow Combed	8' 10' 12'	24 pc	144.6 117 90.7	32,498 26,299 20,399	215.7 156.6 113.4	48,498 35,198 25,499
SPF 8 x 8 Hollow Combed	8' 10' 12'	12 pc	238.9 208.6 177.5	53,697 46,898 39,898	381.6 328.3 261.1	85,796 73,796 58,697

Structural design values and code compliance reporting for Dak Trim Posts are maintained in partnership with QAI, an internationally recognized third-party certification agency. The table above is provided for general reference.



Pittsburgh Paints Company - Fast Dry Acrylic Latex Primer

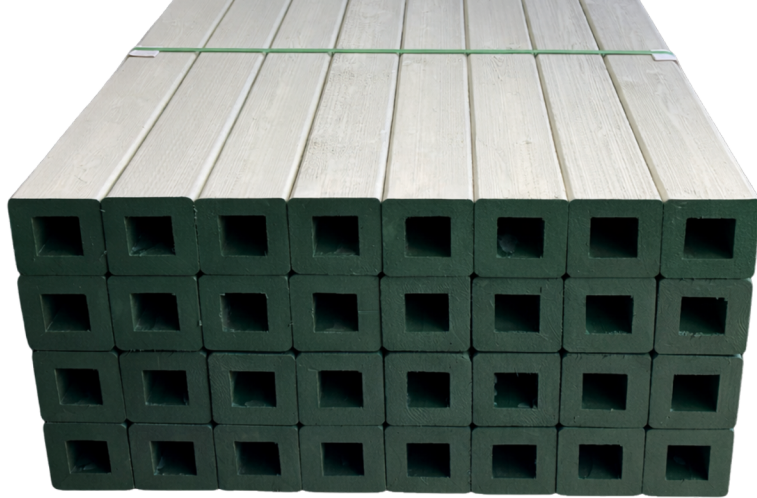
Specifically designed for kiln-dried SPF products. Custom formulated to resist mold and mildew growth and provide excellent hiding power.



(604) 986-0323

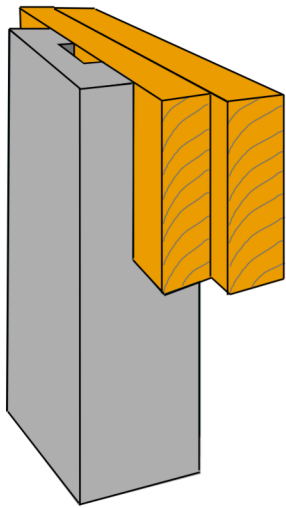


specialties@dakeryn.com

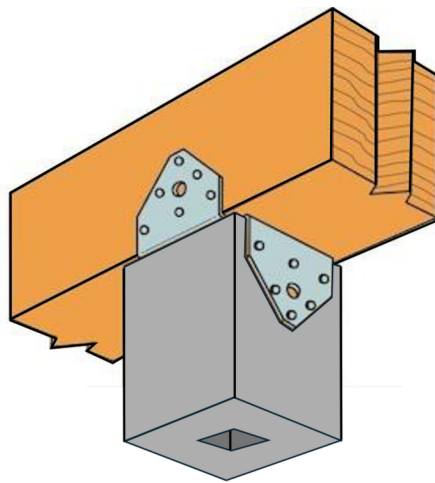


SIMPSON
Strong-Tie

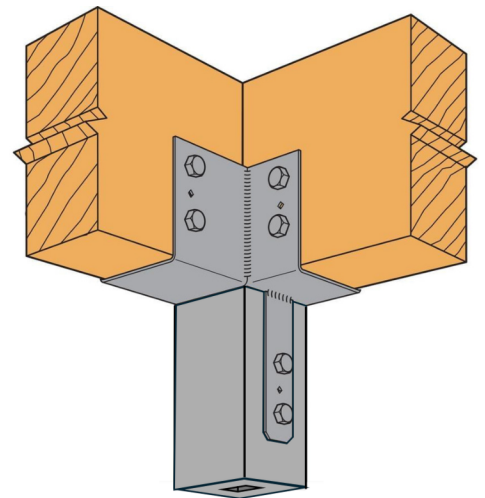
PRODUCT	BASE
SPF 4 x 4	ABA44Z
SPF 6 x 6	ABU66Z
SPF 8 x 8	APB88



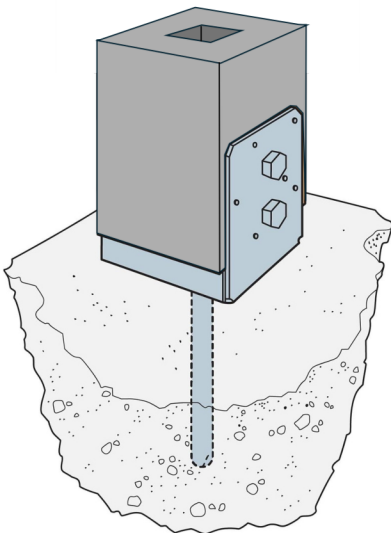
Notched Beam Connection
Field-notched connection to beam



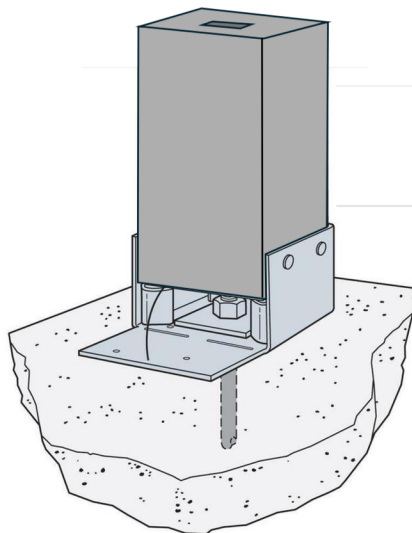
Post Cap Connection
Surface-mounted post-to-beam hardware



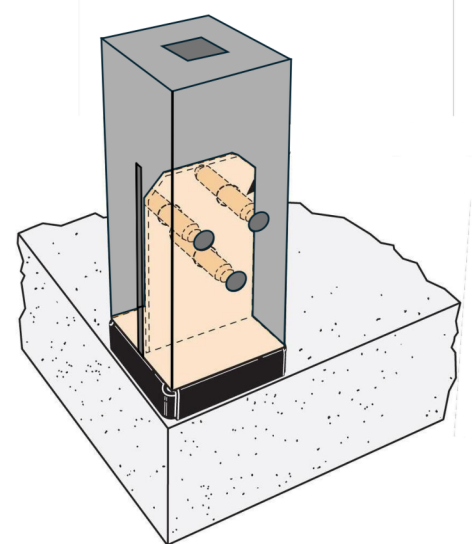
Corner Post Cap Connection
Corner condition, multi-directional load transfer



Elevated Post Base
Raised post base for drainage clearance



Concealed Post Base (Uplift Rated)
Hidden hardware with uplift resistance



Knife Plate Post Base
Embedded steel plate with concealed fasteners



(604) 986-0323



specialties@dakeryn.com